

Patents, Designs, and Trade Marks

SUPPLEMENT

TO THE

NEW ZEALAND GAZETTE

OF

THURSDAY, JULY 1, 1909.

Published by Authority.

WELLINGTON, THURSDAY, JULY 1, 1909.

CONTENTS.

	Page
Complete Specifications and Drawings open to Inspection	1765
International and Intercolonial Arrangements for the Mutual Protection of Patents and Trade Marks ..	1766
Patent Publications in New Zealand	1766
Books and Documents open to Inspection at Patent Office, Wellington	1766
Books, Documents, &c., open to Inspection at Local Patent Offices, Auckland, Christchurch, and Dunedin ..	1767
Office for Registration of Copyright	1767
Official Publications	1767
Local Patent Offices	1767
Applications for Letters Patent filed	1767
Complete Specifications filed after Provisionals ..	1768
Complete Specifications accepted	1768
Provisional Specifications accepted	1771
Letters Patent sealed	1772
Letters Patent on which Fees have been paid ..	1772
Subsequent Proprietors of Letters Patent registered ..	1772
Applications for Letters Patent abandoned ..	1772
Applications for Letters Patent void	1772
Applications for Letters Patent lapsed	1772
Letters Patent void	1772
Design registered	1773
Designs expired	1773
Applications for Trade Marks filed	1773
Applications for Registration of Trade Marks ..	1773
Trade Marks registered	1780
Subsequent Proprietors of Trade Marks registered ..	1780
Application for Restoration of Trade Mark to the Register	1780
Trade Mark Renewal Fees paid	1780
Alteration of Address of Proprietor of Trade Mark on Register	1780
Applications for Trade Marks opposed	1780
Application for Trade Mark withdrawn	1780
Trade Marks removed from the Register	1780

Complete Specifications and Drawings open to Inspection at Auckland, Dunedin, and Christchurch.

COPIES of the complete specifications and drawings advertised in the *Gazette* will be sent for public inspection to the

LOCAL PATENT OFFICES

IN THE

SUPREME COURT BUILDINGS

in the following towns on or about the dates mentioned:—

Auckland.

Gazette No. 55, of the 1st July. 7th July to 21st July, inclusive.

Dunedin.

Gazette No. 55, of the 1st July. 27th July to 10th August, inclusive.

Gazette No. 51, of the 17th June. 13th July to 27th July, inclusive.

Gazette No. 45, of the 4th June. 30th June to 14th July, inclusive.

Christchurch.

Gazette No. 55, of the 1st July. 14th August to 28th August, inclusive.

Gazette No. 51, of the 17th June. 31st July to 14th August, inclusive.

Gazette No. 45, of the 4th June. 19th July to 2nd August, inclusive.

Gazette No. 41, of the 20th May. 3rd July to 17th July, inclusive.

[NOTE.—The office can take no responsibility if from any cause the specifications are not so available.]

International and Intercolonial Arrangements for the Mutual Protection of Patents and Trade Marks.

INTERNATIONAL CONVENTION.

THE following countries now belong to the Convention:—

Australia.	Italy.
Belgium.	Japan.
Brazil.	Mexico.
Ceylon.	New Zealand.
Cuba.	Norway.
Denmark and Faroe Islands.	Portugal, with the Azores and Madeira.
Dominican Republic.	Servia.
France, with Algeria and Colonies.	Spain.
Germany.	Sweden.
Great Britain.	Switzerland.
Holland, with East Indian Colonies, Curaçoa, and Surinam.*	Tunis.
	United States of America.

* Trade marks only.

Separate arrangements have been made between Australia and New Zealand.

Particulars of the Convention and of such arrangements may be seen in the following *Gazettes*:—

Notification of adhesion of New Zealand to the Convention, with text thereof (in English), in the *Gazette* of 28th November, 1891; notification of adherence of New Zealand to the Additional Act of the Convention, with text (in English), of such Additional Act, in Patents Supplement to *Gazette* No. 101, of the 16th November, 1905; Order in Council applying section 103 of the Imperial Act to New Zealand, in *Gazette* No. 27, of the 15th May, 1890; Orders in Council containing arrangements between Australia and New Zealand, in Patent Supplements to the *Gazette* Nos. 22 of the 9th March, 1905, and 38 of the 20th April, 1905.

Patent Publications in New Zealand.

THE following publications relating to Patents for inventions, &c., are open to inspection in the Dominion:—

WELLINGTON.—PATENT OFFICE LIBRARY.

United Kingdom.

The full text of the specifications and complete drawings of inventions patented from the year 1617 up to the 11th March, 1909.

Classified illustrated abridgments of inventions from 1855 to 1906 and part of 1907.

Illustrated Official Journal, containing lists of recent applications, abridgments of inventions for which patents have been lately granted, patents void, &c., to May, 1909.

Index of Applicants.

Subject-matter Index.

Commissioner of Patents Journal, &c. (a).

Trade Marks Journal to March, 1909.

Canada.

Patent Office Record (containing illustrated abridgments of inventions, &c.) to January, 1909.

Australia.

The full text of the specifications and complete drawings in respect of applications accepted from the 11th January, 1906, to the 6th October, 1908, inclusive.

The Official Journal of Patents of the Australian Commonwealth (containing lists of applications for letters patent, abridgments of complete specifications accepted, &c.).

The Australian Official Journal of Trade Marks (containing lists of applications for registration of trade marks, &c.).

Specifications, drawings, abridgments, and indexes of Victoria, New South Wales, Queensland, and South Australia (b).

United States.

The full text of the specifications and drawings for the years 1905 and 1906.

The Official Gazette of the United States Patent Office (containing illustrated abridgments of specifications, &c.) to May, 1909.

Mexico.

The Official Gazette of the Patent and Trade Mark Office.

(a) Discontinued.

(b) In arrears. Not now being printed.

General.

La Propriété Industrielle (the official organ of the International Bureau of the Union for the Protection of Industrial Property).

Patent laws of the world.

Patent and Trade Mark Review.

Text-books and handbooks on patents and trade marks.

AUCKLAND.—PUBLIC LIBRARY.

United Kingdom.

Classified abridgments of inventions from 1855 to 1904. Illustrated Official Journal from 1897 to date.

Canada.

Patent Office Record (containing illustrated abridgments of inventions, &c.) from 1897 to date.

Australia.

The Official Journal of Patents from 1905 to date.

United States.

The Official Gazette of the United States Patent Office (containing illustrated abridgments of specifications, &c.) from 1885 to 1887 and 1890 to 1895.

CHRISTCHURCH.—PUBLIC LIBRARY.

United Kingdom.

Classified abridgments of inventions from 1855 to 1904. Illustrated Official Journal from October, 1905, to date.

Canada.

Patent Office Record (containing illustrated abridgments of inventions, &c.) from 1897 to date.

Australia.

The Official Journal of Patents from 1905 to date.

DUNEDIN.—PUBLIC LIBRARY.

United Kingdom.

Classified abridgments of inventions from 1855 to 1904. Illustrated Official Journal from October, 1905, to date.

Australia.

The Official Journal of Patents from 1905 to date.

Books and Documents open to Inspection at Patent Office, Wellington.

THE following documents and books are open to public inspection at the Patent Office:—

PATENTS.

(Fee for each search or inspection, not exceeding one hour, 1s.)

1. The files relating to all applications for letters patent in respect of which complete specifications have been accepted.
2. Classified copies of specifications and drawings, with index and key (a).
3. Register of Applications for Letters Patent.
4. Register of Patents.
5. Register of Subsequent Proprietors of Letters Patent (b).
6. Index of Patentees (c).
7. Index of Proprietors of Letters Patent granted prior to 1890 (d).
8. Index of Specifications (e).

DESIGNS.

(Search fee, 1s. each quarter of an hour.)

1. Register of Designs, with Index of Names of Proprietors.
2. Classified Representations of Designs in respect of which Copyright has expired.
3. Index of Designs.

(a) Key is in card index.

(b) This Register contains only names of subsequent proprietors of letters patent granted prior to 1st January, 1890; since that date they appear in Register of Patents.

(c) Includes all names of applicants, &c., and consists of four volumes to 4th November, 1903, and card index since that date. A separate card index is kept for current quarter.

(d) The names of proprietors of subsequent letters patent appear in the Index of Patentees.

(e) Contains classified abridgments of specifications from 1861 with extracts from drawings from July, 1904.

TRADE MARKS.

(Search fee, 1s. each quarter of an hour.)

1. The files relating to all applications for registration of trade marks.
2. Register of Applications for Registration of Trade Marks.
3. Register of Trade Marks.
4. Index of Applicants for Registration of Trade Marks^(a).
5. Index of Trade Marks.
6. Classified Representations of Trade Marks, with indexes.

MISCELLANEOUS.

Register of Patent Agents.

FORMS AND PUBLICATIONS.

The following forms, &c., may be had on application at the Patent Office, Wellington, or at any of the local Patent Offices named below:—

- Application for letters patent.
- Provisional specification.
- Complete specification and copy thereof.
- Application for registration of design.
- Application for registration of trade mark.
- Applications for extension of time.
- Requests by subsequent proprietor to enter name on Register of Patents and Trade Marks.
- Printed sheets of information as to fees and procedure to obtain letters patent and to register a trade mark^(b).
- Pamphlet containing Act and Regulations (price 1s.).

^(a) Names of applicants for registration and proprietors of trade marks are indexed at the beginning of the Registers up to 31st December, 1889; in separate volume up to 5th September, 1904; and since the latter date in card index.

^(b) May also be obtained at any local Patent Office or money-order office.

Books, Documents, &c., open to Inspection at Local Patent Offices, Auckland, Christchurch, and Dunedin.

BOOKS, documents, &c., open to inspection, and forms, &c., procurable, at the local Patent Offices at Auckland, Christchurch, and Dunedin.

BOOKS, ETC., OPEN TO INSPECTION.

Complete specifications and drawings of inventions. (Note.—One set of the specifications and drawings is sent, on acceptance, to Auckland, Christchurch, and Dunedin in succession, remaining fourteen days at each place, as advertised in the *Gazette*. Search fee, 1s. per hour.)

Classified abridgments of inventions from 1st January, 1908, to 31st March, 1909. (Search fee, 1s.)

Weekly lists of applications for patents up to and including those filed on Friday may be seen on the following Monday. (Search fee, 1s.)

- Name Index—Patents, 1861–1889. (Search fee, 1s.)
- Annual Reports, containing alphabetical lists of applicants and subject-matter indexes since 1890.
- Patents Supplement to the *New Zealand Gazette*.
- Patents, Designs, and Trade Marks Act and Rules.
- Acts and Rules of other countries.
- Australian Official Journal of Patents.

FORMS, ETC., OBTAINABLE.

The following forms, &c., may be obtained on application:—

- Applications for letters patent.
- Provisional specification.
- Complete specification, and copy thereof.
- Application for registration of design.
- Application for registration of trade mark.
- Applications for extension of time.
- Requests by subsequent proprietor to enter name on Register of Patents and Trade Marks.
- Printed sheets of information as to fees and procedure to obtain letters patent and to register designs and trade marks. Act and Regulations. (Price, 1s. 6d.)

NOTE.—The classified abridgments of the specifications and drawings of the United Kingdom may be seen in the Public Library of each of the above three principal towns. Other publications will be placed on file as soon as they are available.

Office for Registration of Copyright.

THE office for the registration of proprietorship of copyright in Fine Arts and Dramatic Works has been transferred to the Patent Office, Magistrate's Court Building, corner of Lambton Quay and Ballance Street, Wellington.

Official Publications.

THE following publications may be obtained from the Government Printer, Wellington:—

Printed specifications to the end of the year 1879. (Some of these are now out of print.)

Annual lists of letters patent and letters of registration applied for, and particulars of applications lapsed, and patents lapsed, from 1880 to 1893 inclusive. (The lists for the last four of these years are contained in the *Annual Reports of the Registrar*.)

Annual reports of the Registrar, containing alphabetical indexes of applicants for letters patent and of subject-matter of inventions patented from 1894 to 1907 inclusive.

The Patents Supplement to *Gazette* (containing notifications, applications for letters patent, abridged descriptions and drawings of inventions, &c.), published fortnightly.

Name Index of Patents, &c., 1861–1890. (Price, 1s.)

Local Patent Offices.

LOCAL Patent Offices for the reception of applications; supply of forms, &c., have been established at the following places:—

- Auckland—Supreme Court. (E. W. Cave, agent.)
- Whangarei—Courthouse. (W. J. Reeve, agent.)
- Thames—Courthouse. (J. Jordan, agent.)
- Waihi—Courthouse. (J. McIndoe, agent.)
- Hamilton—Courthouse. (H. J. Dixon, agent.)
- Gisborne—Courthouse. (G. J. A. Johnstone, agent.)
- New Plymouth—Courthouse. (J. Terry, agent.)
- Napier—Courthouse. (A. Trimble, agent.)
- Wanganui—Courthouse. (C. A. Barton, agent.)
- Taihape—Courthouse. (W. Baker, agent.)
- Palmerston North—Courthouse. (C. J. Hewlett, agent.)
- Masterton—Courthouse. (M. Foley, agent.)
- Nelson—Courthouse. (E. C. Kelling, agent.)
- Blenheim—Courthouse. (F. W. Hart, agent.)
- Westport—Courthouse. (O. E. Bowling, agent.)
- Greymouth—Courthouse. (B. Harper, agent.)
- Hokitika—Courthouse. (J. N. Nalder, agent.)
- Christchurch—Supreme Court. (W. W. Samson, agent.)
- Ashburton—Courthouse. (J. Fitzgerald, agent.)
- Timaru—Courthouse. (T. W. Taylor, agent.)
- Oamaru—Courthouse. (A. A. Mair, agent.)
- Dunedin—Supreme Court. (T. E. Roberts, agent.)
- Clyde—Courthouse. (F. T. D. Jeffery, agent.)
- Gore—Courthouse. (G. H. Lang, agent.)
- Queenstown—Courthouse. (A. J. Thompson, agent.)
- Invercargill—Courthouse. (J. R. Colyer, agent.)

Applications for Letters Patent filed.

LIST of applications for Letters Patent filed. (Where a complete specification accompanies an application an asterisk is affixed; in all other cases a provisional specification has been lodged. In all cases where the applicant is not the inventor the name of the latter appears in italics after the title. † Denotes an application under the International and Intercolonial Arrangements.)

- No. 26074.—15th June.—A. K. Virgil, New York, U.S.A. Musician's exercising-keyboard.*
- No. 26075.—15th June.—W. C. Paterson, Denver, U.S.A. Pulp-agitator.*
- No. 26076.—15th June.—W. C. Haines, Wellington, N.Z. Rotary engine.
- No. 26077.—16th June.—A. Rosenberg, London, Eng. Depositing metals upon metallic surfaces.*
- No. 26078.—16th June.—G. H. Dunlop, Auburn, Vic. Excavating-machinery.*
- No. 26079.—16th June.—W. A. F. Bleek, Brisbane, Queensland. Primary battery.*
- No. 26080.—16th June.—J. W. M. Harrison, Wellington, N.Z. Soft-collar stiffener.
- No. 26081.—16th June.—S. Symington and F. Thompson, Christchurch, N.Z. Displaying advertisements, &c.
- No. 26082.—16th June.—P. J. Andersen, Poukawa, N.Z. Opening and closing gates.*
- No. 26083.—16th June.—W. H. Colwill, Plymouth, Eng., and J. Colwill, Timaru, N.Z. Telephone sound-proof box.*
- No. 26084.—16th June.—C. F. Lungley, Albert Park, Vic. Steel, iron, &c., preservative.
- No. 26085.—16th June.—C. F. Lungley, Albert Park, Vic. Hides and leather treatment.

- No. 26086.—16th June.—C. J. J. S. Holloway, Henderson, N.Z.
Draining-implement.
- No. 26087.—17th June.—L. G. Grace, Hawera, N.Z.
Aeroplane.
- No. 26088.—14th June.—J. H. Hutchinson, Auckland, N.Z.
Depositing bricks, &c.
- No. 26089.—15th June.—J. Arnaboldi, Auckland, N.Z.
Soldering-bolt.*
- No. 26090.—15th June.—S. Graham, Wendon, N.Z.
Railway-rails.
- No. 26091.—15th June.—J. Little, Dunedin, N.Z.
Display cabinet.
- No. 26092.—17th June.—A. J. Ostberg, St. Kilda, Vic.
Substitute for leather board.*
- No. 26093.—17th June.—F. A. Cooper, Auckland, N.Z.
Acetylene-generator.
- No. 26094.—15th June.—E. J. Chilton, Masterton, N.Z.
Hauling venetian-blinds.
- No. 26095.—18th June.—T. P. Smith and C. J. Maclean, New Plymouth, N.Z.
Water-closet cistern.
- No. 26096.—15th June.—W. A. McNaught, Dunedin, N.Z.
Branding-device.
- No. 26097.—16th June.—Marconi's Wireless Telegraph Company, Limited, London, Eng.
Wireless telegraphy * (*G. Marconi.*)
- No. 26098.—19th June.—A. H. Hale, Palmerston North, N.Z.
Protection of water-gauge glasses.
- No. 26099.—19th June.—W. H. Freeman, Auckland, N.Z.
Rope-protector.
- No. 26100.—21st June.—L. G. Grace, Hawera, N.Z.
Valve of hydraulic pump.
- No. 26101.—17th June.—H. Wallace, Porepunkah, Vic.
Chaff-cutter safety device.
- No. 26102.—17th June.—L. W. Alexander and J. W. Hall, Auckland, N.Z.
Non-refillable bottle.
- No. 26103.—19th June.—New Zealand Acetylene Gas Lighting Company, Limited, Dunedin, N.Z.
Carbide-tray for acetylene-generator.* (*H. P. Desmoulin.*)
- No. 26104.—21st June.—W. Angus, Christchurch, N.Z.
Valve of hydraulic ram.*
- No. 26105.—19th June.—J. Treloar, Hamilton, N.Z.
Vacuum pump.
- No. 26106.—19th June.—J. Treloar, Hamilton, N.Z.
Lubricator.
- No. 26107.—22nd June.—J. L. MacDonald, Halcombe, N.Z.
Plough-skeith lubricator.
- No. 26108.—22nd June.—H. J. Wood, Christchurch, N.Z.
Kettle-lid.*
- No. 26109.—22nd June.—R. Heaven, Christchurch, N.Z.
Speed alarm for motors.
- No. 26110.—22nd June.—C. S. McLean, Wellington, N.Z.
Aeroplane.
- No. 26111.—22nd June.—D. S. Mackenzie, Levin, N.Z.
Making dental fillings, &c.
- No. 26112.—23rd June.—J. Blum, Brussels, Belgium, and A. W. Carpenter, London, Eng.
Artificial para rubber.*
- No. 26113.—23rd June.—Mono Service Vessels, Limited, London, Eng.
Paper vessel for milk-delivery, &c.* (*E. Z. Taylor.*)
- No. 26114.—23rd June.—A. C. and J. King, Southgate, Eng., and F. Hamer, Hayes, Eng.
Power-transmission.*
- No. 26115.—23rd June.—J. O. Sackling, A. H. Herbert, and E. Page, Eketahuna, N.Z.
Water-closet.
- No. 26116.—23rd June.—T. Quinlivan, Coghill's Creek, Vic.
Traction engine, &c.*
- No. 26117.—23rd June.—F. Lloyd, Sydney, N.S.W., and S. Weaver, Coburg, Vic.
Telephone accessories.*
- No. 26118.—23rd June.—A. B. Taylor, Morwell, Vic.
Feed-trough.*
- No. 26119.—23rd June.—United Shoe Machinery Company, Paterson, U.S.A.
Heel-attaching machine. (*A. Bates.*)
- No. 26120.—23rd June.—United Shoe Machinery Company, Paterson, U.S.A.
Fastenings-inserting mechanism. (*C. D. Foye.*)
- No. 26121.—23rd June.—United Shoe Machinery Company, Paterson, U.S.A.
Boot or shoe manufacture.* (*J. N. Busell.*)
- No. 26122.—23rd June.—United Shoe Machinery Company, Paterson, U.S.A.
Sole-levelling machine.* (*J. H. Rigby.*)
- No. 26123.—22nd June.—H. M. Inglis, Christchurch, N.Z.
Cycle-lock.
- No. 26124.—24th June.—W. E. Hunter, Maungakarama, N.Z.
Preventing pigs breaking through barriers.
- No. 26125.—23rd June.—A. Moore, Geraldine, N.Z.
Life-saving belt.
- No. 26126.—22nd June.—D. Hagarty, Auckland, N.Z.
Plough.*
- No. 26127.—22nd June.—J. H. Beamish, Auckland, N.Z.
Ventilating buildings.
- No. 26128.—24th June.—J. J. McCarthy and A. Cometti, Wellington, N.Z.
Motor-car.
- No. 26129.—22nd June.—N. C. Christie and W. Henderson, Invercargill, N.Z.
Railway air-brake system.
- No. 26130.—22nd June.—A. E. Humphries, Weybridge, Eng.
Milling of flour.*
- No. 26131.—22nd June.—J. Thomas, Kilfeera, Vic.
Chaff-cutter feed.
- No. 26132.—22nd June.—J. Thomas, Kilfeera, Vic.
Hoe-support for grain-drill.
- No. 26133.—21st June.—A. Campbell, Sutton, N.Z.
Hydraulic nozzle.*
- No. 26134.—21st June.—A. L. J. Queneau, Philadelphia, U.S.A.
Metallurgy of zinc.*

Complete Specifications filed after Provisionals.

LIST of complete specifications filed after provisional specifications, from the 15th to the 25th June, 1909, inclusive:—

- No. 24941.—F. E. Bythell, sporting-bracket.
No. 24950.—A. Robins, produce-box.
No. 24960.—A. E. Woolley, dust, draught, and rain excluder.
No. 24961.—A. Ferris and J. J. Poynton, post-hole digger.
No. 24972.—S. Carr, flax-treating apparatus.
No. 24981.—C. Grant, tine and chain harrow.
No. 25014.—S. Wright, acetylene-generator.
No. 25020.—H. S. Martin, producing mechanical vibrations.
No. 25044.—J. Baird, earth-closet.
No. 25103.—United Shoe Machinery Company, upper-conforming machine. (O. Ashton.)
No. 25104.—United Shoe Machinery Company, press. (*A. Bates.*)
No. 25199.—United Shoe Machinery Company, heel-nail machine. (*E. A. Webster.*)
No. 25764.—W. Towt, wire-strainer.
No. 25814.—D. L. Hollis, U. A. Forgie, F. Goscomb, J. S. Jaffray, C. G. Tawse, motor-tire cover.

Notice of Acceptance of Complete Specifications.

Patent Office.

Wellington, 30th June, 1909.

COMPLETE specifications relating to the undermentioned applications for Letters Patent have been accepted, and are open to public inspection at this office. Any person may, at any time within two months from the date of this *Gazette*, give me notice in writing of opposition to the grant of any such patent. Such notice must set forth the particular grounds of objection, and be in duplicate. A fee of 10s. is payable thereon.

No. 24058.—30th April, 1908.—HILARY QUERTIER, of Dunedin, New Zealand, Engineer. Improvements in umbrellas, parasols, sunshades, and the like.*

Extract from Specification.—This device consists of a stick or handle of the article carrying the ribs and the frame being made tubular, and the tip or point of the stick being made to fit slidably within it, the tip having a ring or collar a short distance from its outer extremity, whereby it may be easily withdrawn, and at the same time preventing it being forced within the tube. Near the inner extremity of the tip a spring catch similar to those used in the ordinary umbrella is attached and made to engage in a slit or slits at various distances apart in the upper extremity of the main tubular stick for the purpose of enabling this portion to be shortened or lengthened at will. The lower part of the stick, carrying the knob or handle, is made to fit slidably over the lower extremity of the portion carrying the ribs and frame, and having one or more slits cut in its lower extremity at various distances

apart, through which fits the lower spring catch for the rib-stay slider, holding it firmly at the various lengths. This spring catch is made of sufficient length to pass through both tubes and slider as well. The tip and handle can thus be readily adjusted to several lengths, or withdrawn, or replaced, or renewed at will, and the article made compact and handy for use or carriage.

[NOTE.—The above extract from the specification is inserted in place of the claims.]

(Specification, 4s. ; drawing, 1s.)

No. 24179.—20th April, 1907.—LOUIS HARDAKER, of No. 106 Constitution Road, Petersham, near Sydney, New South Wales, Ledger-keeper. Improved wheel for road-vehicles.

[NOTE.—This is an application under the International and Inter-colonial Arrangements, the date given being the official date of the application in Australia.]

Claims.—(1.) In a wheel for road-vehicles of the character referred to, the construction wherein a single series of springs are interposed between the inner and outer rims, substantially as described. (2.) In a wheel for road-vehicles as claimed in the preceding claim, rigidly connecting the ends of the springs to the inner and outer rims, substantially as described. (3.) The particular construction of wheel consisting of the mechanical parts for the purposes set forth, substantially as described and explained, and as illustrated in Figs. 1 and 2 of the drawings. (4.) The particular construction of wheel consisting of the mechanical parts for the purposes set forth, substantially as described and explained, and as illustrated in Figs. 3 and 4 of the drawings.

(Specification, 3s. ; drawing, 1s.)

No. 24642.—7th July, 1908.—ARTHUR GRETTON TOMKIES, of Orowaiti Road, Westport, New Zealand, Engineer. A new and improved portable shearing tool or machine for corrugated roofing-iron and the like.*

Claims.—(1.) A tool for cutting sheet metal, comprising two revoluble co-operating disc cutters mounted the one above the other on arms connected at one end, substantially as described. (2.) A tool for cutting sheet metal, comprising two revoluble co-operating disc cutters mounted the one above the other on arms connected at one end and secured to a saddle, a longitudinal rail for the saddle, and means for moving the saddle along the rail, substantially as described.

[NOTE.—Here follow three other claims.]

(Specification, 3s. 3d. ; drawing, 1s.)

No. 24676.—16th July, 1908.—ERNEST MOSS, of Christchurch, New Zealand, Mechanic. Improved construction of heat-recorder or fire-alarm for buildings, ships, and the like.*

Claims.—(1.) Means for the purposes described, the same consisting of a metallic casing, a receptacle having a flexible wall forming part of such casing and filled with a fluid expansible under the action of heat, a contact-piece upon the outside of the flexible wall, metallic arms arranged adjacent to such contact-piece and in open or closed electric circuit with the casing and with indicators and [or] alarms, and means for regulating the positions of such arms in relation to the contact-piece, substantially as specified.

[NOTE.—Here follow two other claims.]

(Specification, 4s. 6d. ; drawing, 1s.)

No. 24686.—18th July, 1908.—JOHN GEORGE HUDSON, of Wanganui, in the Dominion of New Zealand, Gentleman, and JOHN WILLIAM MARDON, of 16 Thorndon Quay, Wellington, in the Dominion of New Zealand, Flaxmiller. Improvement in railway signalling.*

Claims.—(1.) In railway signalling apparatus, a pair of depression levers located and arranged parallel with the track-rail, inclining upwardly towards each other, the one lever in line with the other, and each adapted to be depressed by the flange of a wheel of a vehicle running upon said rail, with means whereby the depression of said levers causes a rope to be pulled and a signal operated thereby, substantially as specified and illustrated.

[NOTE.—Here follow six other claims.]

(Specification, 9s. ; drawing, 2s.)

No. 24691.—17th July, 1908.—SAMUEL GRAHAM, of Wendon, in the Dominion of New Zealand, Farmer. Improvements in the manufacture of fibre from *Phormium tenax*.*

Extract from Specification.—The special parts of my apparatus that I consider new are the hollow drum with disappearing hooks or teeth, the rollers round the drum, the feeders which hold the hanks of fibre, the elevator, and the combination and arrangement of parts forming the whole machine.

[NOTE.—The above extract from the specification is inserted in place of the claims.]

(Specification, 7s. ; drawing, 1s.)

No. 24719.—21st July, 1908.—JOHN ARTHUR, Jun., of 59 Macmaster Street, East Invercargill, New Zealand, Blacksmith. Improvements in elevating and conveying machinery.*

Claims.—(1.) An apparatus for elevating and conveying of the class in which an elevating-bucket is slung on a conveying-trolley travelling on an overhead cable, characterized by an arrangement whereby the hoisting-line for raising the bucket to the desired height from the workings may on such height being attained be made to serve as a draught-line to draw the trolley away to the dumping-place whilst simultaneously retaining the bucket in its raised position, substantially as described.

[NOTE.—Here follow two other claims.]

(Specification, 5s. ; drawing, 1s.)

No. 24727.—25th July, 1908.—JOHN MORGAN TAYLOR and HENRY OAKLEY, carrying on business as "Taylor and Oakley," Plumbers, Christchurch, in the Dominion of New Zealand (assignees of Frank Wright, Brass-finisher, of Christchurch aforesaid). A silent self-governing pump attachment for siphon flushing-cisterns.

Extract from Specification.—A cylindrical chamber is connected to the bottom of a cistern, one end being closed and the other end being partially closed. To the side of this chamber, near the closed end, one leg of the siphon is connected, the other leg thereof being connected to the flushing-pipe. Within a cylindrical chamber is a disc of slightly less diameter than the chamber, fixed upon the end of a rod which is pivotally connected to a lever arm fulcrumed upon the cistern. A small hole is formed in the closed end of the chamber, close to the top. A ball tap is fitted to the cistern in the usual way.

[NOTE.—The above extract from the specification is inserted in place of the claims.]

(Specification, 2s. 9d. ; drawing, 1s.)

No. 24730.—27th July, 1908.—GEORGE FELL HUTCHINSON, of Kapuni, in the Dominion of New Zealand, Inventor. Improved means for obtaining motive power from the use of a vacuum or of fluid-pressure.*

Extract from Specification.—The means designed consist of a flexible diaphragm that is mounted within a casing so as to divide the space within such casing into two equal divisions. Attached to the centre of the flexible diaphragm is a rod that passes out through a suitable gland on one side of the casing, and is adapted to reciprocate longitudinally when the diaphragm is moved laterally within the casing. The outer end of this rod is articulated to a connecting-rod by which the desired motion may be conveyed to the mechanism to be actuated, and, if rotary motion is required, to a crank-shaft in a similar manner to an ordinary engine. A slide-valve mechanism of ordinary type is provided, the central port of which is connected with a source of vacuum, while the two outer ports are in communication with the atmosphere and with the respective divisions of the casing.

[NOTE.—The above extract from the specification is inserted in place of the claims.]

(Specification, 5s. 6d. ; drawing, 1s.)

No. 24737.—30th July, 1908.—LESLIE ROBERT SUNDERCOMBE, of Barrabool, Adelaide Terrace, Perth, Western Australia, Ship's Officer. Improvements in flash-signal apparatus.*

Extracts from Specification.—My invention relates to apparatus for transmitting signals by light-flashes. It includes a lamp carried on a pole or staff and operated by a lanyard, a hand-lamp of similar construction operated by a finger-

plunger, and also certain parts associated with the former class of lamp to facilitate use of same on the bridge of a vessel.

The signal-lamp consists of a cylindrical or rectangular metal case with necessary ventilation-apertures. It contains a reflector in the rear side, a converging lens in the face, and behind the lens a shutter the two leaves of which swing to meet and overlap at the centre to close, and swing apart to open. The shutter is normally held closed by gravity and by a spring; in the fixed lamp it is moved to open and display the light by pulling a lanyard, in the portable lamp by pressing a finger-button.

[NOTE.—The above extract from the specification is inserted in place of the claims.]

(Specification, 9s. ; drawing, 4s.)

No. 24747.—28th July, 1908.—CHARLES UDDSTROM, of Greymouth, in the Dominion of New Zealand, Cabinetmaker. Improvements in means for mounting circular saws on their spindles.*

Claims.—(1.) Means for mounting a circular saw on its spindle, characterized by a cone adapted to be forced into the central opening of the saw so as to centre it with respect to and secure it upon the spindle, substantially as described. (2.) Means for mounting a circular saw on its spindle, consisting of the parts combined, arranged, and operating substantially as described.

(Specification, 2s. ; drawing, 1s.)

No. 24753.—30th July, 1908.—NORMANBY CONSTANTINE CHRISTIE, Doon Street, Invercargill, New Zealand, Fitter, and WALTER HENDERSON, of Dee Street, Invercargill aforesaid, Merchant. Improvements in or relating to railway air-brake systems.*

Claims.—(1.) A railway-train air-brake apparatus of the class described, characterized by its being provided with means for automatically sounding an alarm on any angle-cock of such apparatus being shut so as to render it wholly or partly inoperable, substantially as described. (2.) A railway-train air-brake apparatus characterized according to claim 1, in which the alarm-sounding means consists of an electrical signalling-apparatus which is automatically operated to sound the alarm by the shutting of any angle-cock of such apparatus so as to render it wholly or partly inoperable completing or breaking an electric circuit, substantially as described. (3.) In a railway-train air-brake apparatus of the class described, provided with means for automatically sounding an alarm on any angle-cock of such apparatus being shut, means for preventing the operation of the alarm on the necessary shutting of the rear and front angle-cocks of the train, substantially as described. (4.) In a railway-train air-brake apparatus according to claims 1, 2, or 3, means whereby the engine-driver can make the alarm-sounding means temporarily inoperative during shunting and like operations, substantially as described. (5.) In a railway-train air-brake apparatus according to claim 4, means, actuated by the pulling of the locomotive-whistle lever, for automatically making the alarm-sounding means again operative in the event of the engine-driver neglecting to do so, substantially as described. (6.) In a railway-train air-brake apparatus according to claim 2, forming the rubber coupling-hoses with an electrical conductor formed in and through the substance thereof, substantially as and for the purpose set forth. (7.) The combination with a railway-train air-brake apparatus of the class described, of an electrical signalling-apparatus constructed, arranged, and operating substantially as and for the purposes set forth.

(Specification, 17s. ; drawing, 3s.)

No. 25215.—12th November, 1908.—WILLIAM HENRY TRENGROVE, of Trengrove and Petherick, Wellington, New Zealand, Engineer. Improvements in internal-combustion engines.*

Extract from Specification.—According hereto, a main cylinder having a reciprocating piston is caused to rotate within a fixed casing, whereby a hole in the end of the cylinder is brought alternately into correspondence with holes in the casing, thereby forming portways for the admission and exhaust of the motive fluid.

[NOTE.—The above extract from the specification is inserted in place of the claims.]

(Specification, 14s. ; drawing, 6s.)

No. 25452.—16th January, 1909.—GEORGE TIFFIN STEWART, Civil and Mechanical Engineer, and HECTOR HALHEAD STEWART, Mechanical Engineer, both of Featherston, New Zealand. A searing and docking knife.

Extract from Specification.—It consists of a hollow metal blade through which a gas-flame circulates to heat it, the gas being supplied to the blade through a flexible tube from an acetylene or other gas generator, which may be portable or otherwise.

[NOTE.—The above extract from the specification is inserted in place of the claims.]

(Specification, 1s. 9d. ; drawing, 1s.)

No. 25526.—8th June, 1908.—WILLIAM WHITE, of Railway Exchange Building, Chicago, Illinois, United States of America, Engineer. Improvements in systems of washing and filling locomotive and other boilers.

[NOTE.—This is an application under the International and Inter-colonial Arrangements, the date given being the official date of the application in the United States of America.]

Claims.—(1.) A boiler washing and filling system, comprising means for receiving and conveying the blown-off steam and water from the boiler, a water-supply and mechanism located in the path of and adapted to be operated by the blown-off steam and water, whereby the fresh cold-water supply is automatically controlled. (2.) A boiler washing and filling system, comprising a washout-water supply and a filling-water supply, means for receiving and conveying the blown-out products from the boiler, and mechanism located in the path of and adapted to be operated by the blown-out products from the boiler, whereby the filling-water supply is regulated, substantially as described. (3.) A boiler washing and filling system, comprising tanks, means for conveying the blown-out products from the boiler to the tanks, a heater, means whereby the products are separated and the heat-units of the steam conveyed to the heater, and mechanism intermediate of the heater and initial point of the system and adapted to be operated by the blown-out products so as to open and control a water-supply for the heater, substantially as described. (4.) A boiler washing and filling system, comprising a washout-water supply and a filling-water supply, means for receiving and conveying the blown-out products from the boiler, and mechanism located in the path of the blown-out products, whereby they are diverted into a film or spray, substantially as described. (5.) The system and apparatus for washing and filling boilers, substantially as described, and illustrated in the drawings.

(Specification, 7s. 6d. ; drawing, 3s.)

No. 25712.—19th March, 1909.—WILLIAM DALZIEL, of Old Renwick Road, Blenheim, New Zealand, Farmer. An improved construction of hay-press.

Claims.—(1.) The improved hay-press, characterized by the use of a pair of sides arranged vertically upon a platform, and provided with means for staying them at the desired distance apart, substantially as specified. (2.) An improved hay-press, comprised by a platform, a pair of sides arranged vertically upon such platform, stay-bars extending between such sides and provided with means for adjusting their length, a top adapted to fit between the sides and provided with bars projecting laterally from its side edges, vertical slides in the press-sides into which such bars fit, and means whereby the top may be drawn down between the sides, substantially as and for the purposes specified. (3.) The improved hay-press constructed, arranged, and operated substantially as described and explained.

(Specification, 3s. 9d. ; drawing, 1s.)

No. 25765.—31st March, 1909.—GEORGE HENRY PEDLAR, of Oshawa, Ontario, Canada, Manufacturer. Improvements in corrugated culvert or pipe sections.

Claims.—(1.) A transversely bent and corrugated pipe or culvert section, characterized, by having the edges at the side flattened, whereby the corresponding sections may be readily attached together. (2.) A culvert or pipe section according to claim 1, in which certain of the edges are shaped to form a groove into which the edges on the opposite sections may enter. (3.) A modification of the culvert according to claim 2, in which the groove is formed by a flange twice

folded on itself. (4.) A culvert or pipe section according to claim 1, in which the flat edges on the different sections are made to diverge from each other, in combination with a sheath member adapted to connect the diverging flanges.

(Specification, 4s. ; drawing, 1s.)

No. 25876.—27th April, 1909.—ALBERT MACDONALD, of Foster Street, Parkside South, South Australia, Telegraphist. An improved telegraphic transmitter.

Extract from Specification.—My invention consists of a vertical pendant or upright vibrator for automatically producing the "dots," controlled by a horizontal lever, the electrical contact being direct on to the vibrator-spring, thereby dispensing with the secondary-contact spring previously in use.

[NOTE.—The above extract from the specification is inserted in place of the claims.]

(Specification, 8s. ; drawing, 1s.)

No. 25926.—7th May, 1909.—WILLIAM JOSIAH LOVE, Managing Director of Cement-works, and FREDERICK WALTER SKELSEY, Engineer, both of Dunedin and Burnside, New Zealand. Improvements in machinery in the manufacture of cement.

Claims.—(1.) In the manufacture of cement, adjustable means of shaking out the required quantity of clinker, combined with separate adjustable means of shaking out the required quantity of gypsum, said shaking-trays being actuated by one prime mover, so that, when needed, the same relative quantities are passed through them, while the said relative quantities can be differed at will, all substantially as shown on the diagram and as described and as explained. (2.) In the manufacture of cement, a revolving conveyer for conveying material where desired, turning same over and over while being so conveyed, all substantially as set forth. (3.) In the manufacture of cement, in combination, adjustable shaking mixing-trays with revolving conveyers which by turning the conveyed material over and over and delivering the whole of it assist in the thorough mixing of the said materials, all substantially as set forth.

(Specification, 4s. 6d. ; drawing, 1s.)

No. 25941.—12th May, 1909.—JOHN DOUGLAS, Jun., of 85 Cowper Street, Waverley, New South Wales, Australia, Farrier and Veterinary Surgeon, and FRANCIS GOODWIN GEDDES, of "Almont," Macpherson Street, Waverley aforesaid, Butcher. Improved dressing-retainer and shield for the knees of horses.

Claims.—(1.) Improved dressing-retainer and shield for the knees of horses, consisting essentially of a pad-piece adapted to hold a dressing or pad and to be removably attached to a shield-piece, and said shield-piece having linings and straps for attachment of same to the leg below the knee, with said pad or dressing upon said knee, substantially as described and explained.

[NOTE.—Here follow four other claims.]

(Specification, 3s. ; drawing, 1s.)

No. 25942.—12th May, 1909.—JAMES M. CLARK, 3rd, of Attleboro, in the County of Bristol, Massachusetts, United States of America, Toolmaker. Improvements in target-practice attachment for fire-arms.

Extract from Specification.—The invention consists in the peculiar and novel construction of a target-practice attachment for fire-arms, such as rifles, carbines, or muskets, said attachment being adapted for use in the barrel of the fire-arm, actuated by the firing-bolt or hammers of the gun, and having details of construction as will be more fully set forth hereinafter and claimed.

[NOTE.—The above extract from the specification is inserted in place of the claims.]

(Specification, 7s. 6d. ; drawing, 1s.)

No. 25966.—21st May, 1909.—FRANK GEORGE REID, of Wellington, New Zealand, Saddler. An improved cow-cover.

Claim.—A cow-cover characterized by having its rear end made to extend right round the animal's rear, substantially as described, and as illustrated in the drawings.

(Specification, 1s. ; drawing, 1s.)

No. 25969.—22nd May, 1909.—JAMES COLLINS, of Dunedin, New Zealand, Engineer. Improved apparatus for casting metal heads to nails.

Extract from Specification.—The leading features are a pivotally attached flushing-plate, an adjustable nail-retainer, and an automatic raising and ejecting plate. Other features are the pivotally attached combination gate, runner, and shearing-plates, and the method of operating the shearing-plate.

[NOTE.—The above extract from the specification is inserted in place of the claims.]

(Specification, 5s. 6d. ; drawing, 1s.)

No. 25979.—26th May, 1909.—HENRY MERRETT, of Spring Vale Road, East Burwood, Victoria, Australia, Engineer, and CHARLES EDWARD MERRETT, of 48 Queen's Bridge Street, South Melbourne, Victoria aforesaid, Merchant. Improvements in or relating to internal-combustion engines.

Extract from Specification.—According to this invention, instead of only air meeting gas or vapour in the engine-cylinder to form an explosive mixture, heated air is caused to absorb water or steam, dependent upon the type of engine. Loaded with the water or steam, the air meets the gas or vapour, thereby making an explosive mixture which explodes more readily and with far greater effect. The charge upon burning produces a black lubricating substance of the approximate consistency of vaseline. This renders cylinder-lubrication unnecessary. The air, heated in its passage, is admitted by the suction stroke of the piston over an inlet-valve, absorbing heated water or steam during its entrance, and producing a comparatively high-temperature mixture in the form of a mist. In some classes of engines steam is used instead of water, the latter being used, for example, in oil-engines, and the former in suction-gas plants, when a suitable valve is provided for its admission. The mist drawn into the cylinder and added to the gas or vapour charge forms an explosive mixture which is very active, and the product of the combustion of which is a very efficient lubricant.

[NOTE.—The above extract from the specification is inserted in place of the claims.]

(Specification, 7s. 6d. ; drawing, 1s.)

An asterisk (*) denotes the complete specification of an invention for which a provisional specification has been already lodged.

NOTE.—The cost of copying the specification and drawing has been inserted after the notice of each application. An order for a copy or copies should be accompanied by a post-office order or postal note for the cost of copying.

The date of acceptance of each application is given after the number.

Extracts from the drawings accompanying the foregoing complete specifications appear at the end of this Gazette.

J. C. LEWIS,
Registrar.

Provisional Specifications accepted.

Patent Office,
Wellington, 30th June, 1909.

APPLICATIONS for Letters Patent, with provisional specifications, have been accepted as under:—

No. 25810.—W. Morris and W. P. Hambleton, steam-boiler fire-box.

No. 25896.—E. Smethurst, baled-goods-temperature indicator.

No. 25862.—J. Arthur, jun., elevating and conveying machinery.

No. 25943.—K. Anglim, vessel-closure.

No. 25944.—H. J. Wilde, metal-extraction.

No. 25946.—J. V. Price, relief-block process.

No. 25948.—A. J. Whiteside, dressing flax-fibre.

No. 25949.—A. H. Cranwell, preventing the raising of dust by trams, &c.

No. 25950.—A. H. Cranwell, preventing the raising of dust by trams, &c.

No. 25954.—W. McInnes, stump, &c., extractor.

No. 25955.—W. White and H. T. Pring, kitchen-range.

No. 25957.—S. Weingott, waterproof coat.

No. 25959.—Hannam's Limited, bath-water heater. (W. H. Hannam.)

No. 25961.—A. Parker, rotary printing-machine.

No. 25962.—A. K. W. Rissel, electric relay.

No. 25964.—T. Siddans, box for counters, &c.

No. 25965.—W. T. and J. M. Rickus, bird-trap.

No. 25968.—W. Harvey, cheese-pressure block.

No. 25973.—H. Corrick, bicycle, &c., seats, saddles, and pillars.

No. 25978.—J. McCombs, bread-toaster.

- No. 25980.—G. S. Langford, clip for attaching trucks, &c., to haulage-ropes.
 No. 25981.—T. F. Brown, chair, &c., framework.
 No. 25982.—W. C. Comport, crosscut-saw.
 No. 25988.—W. F. Mackenzie, patch for cover of pneumatic tire.
 No. 25989.—G. H. Legg, cigarette, &c., mouthpiece.
 No. 25990.—R. Sorenson, gig-seat.
 No. 25993.—T. Hemming, curtain-connector.
 No. 25998.—S. and T. Watkins, baling-press.
 No. 25994.—A. O. Goulet, coat and trousers hanger.
 No. 25999.—G. A. Gamman, drying timber.
 No. 26007.—United Shoe Machinery Company, die-making. (A. Bates.)
 No. 26008.—United Shoe Machinery Company, lasting-machine. (W. A. Bond.)
 No. 26009.—United Shoe Machinery Company, imitation-stitch machine. (A. C. Spencer and L. A. Casgrain.)
 No. 26010.—United Shoe Machinery Company, assembling parts of boots and shoes. (K. Engel.)
 No. 26027.—G. Craw, flax-treatment.
 No. 26028.—D. H. Edgar, saddle-cloth.
 No. 26043.—United Shoe Machinery Company, heating tools electrically. (J. Oertly, C. F. Dudley, and J. S. Hansen.)

[NOTE.—Provisional specifications cannot be inspected, or their contents made known by this office in any way, until the complete specifications in connection therewith have been accepted.]

Letters Patent sealed.

LIST of Letters Patent sealed from the 12th to the 24th June, 1909, inclusive:—
 Nil.

Letters Patent on which Fees have been paid.

[NOTE.—The dates are those of the payments.]

SECOND-TERM FEES.

- NO. 19628.—Mining Plank Company, Limited, filter-press. (A. E. Davis.) 16th June, 1909.
 No. 19663.—R. Haynes, ore-smelting. (T. S. Anderson.) 23rd June, 1909.
 No. 20110.—T. Hitchen, baking-oven door. 23rd June, 1909.
 THIRD-TERM FEES.
 No. 15016.—C. Peterson, tobacco-pipe, cigar, &c., holder. 17th June, 1909.
 No. 15041.—S. Priest, jun., cycle hub-brake and free wheel. 17th June, 1909.
 No. 15046.—C. Robinson, vermin-destruction. 24th June, 1909.
 No. 15078.—J. M. Chambers, tire-compressor. (West's Patent Tire-setter Company—J. B. West.) 24th June, 1909.
 No. 15139.—Sir W. G. Armstrong, Whitworth, and Co., Limited, coal-loading appliance. (R. Wright.) 16th June, 1909.
 No. 15522.—Treuhand-Vereinigung A. G., gathering and shaping glass. (The Toledo Glass Company—M. J. Owens.) 23rd June, 1909.

Subsequent Proprietors of Letters Patent registered.

[NOTE.—The name of the former proprietor is given in brackets; the date is that of registration.]

- NO. 16221, 18710, 22411.—The New Zealand Acetylene Gas Lighting Company, Limited, a company duly incorporated in the Dominion of New Zealand, and having its registered office at Dunedin, in the said Dominion. Acetylene-gas generator. (R. L. H. Murray.) 21st June, 1909.
 No. 22882.—Carter's Champion Window-sash Company, Limited, a company incorporated in New Zealand under the Companies Act. Window-sash lifter and lock. (T. E. Carter.) 17th June, 1909.
 No. 22882.—Carter's Window-sash Lifter, Limited. Window-sash lifter and lock. (Carter's Champion Window-sash Company, Limited—T. E. Carter.) 17th June, 1909.
 No. 23667.—National Electrical and Engineering Company, Limited, and its Managing Director, Eustace William Aokland, of 47 Crawford Street, Dunedin, New Zealand, Electrical and Mechanical Engineers, registered as licensees. Hoisting and stacking bales of wool, &c. (P. R. Hughes.) 17th June, 1909.
 No. 24777.—The Basham Concrete Block Highway Company, Limited, a company duly incorporated under the

provisions of "The Companies Act, 1908," and having its registered office situate at Eltham, New Zealand. Roadway. (F. Basham.) 15th June, 1909.

No. 25349.—Maatschappij tot vervaardiging van Snijmachines volgens "Van Berkel's Patent" en van andere werktuigen, of Boezemingsel 56, Rotterdam, Netherland-, Manufacturers. Meat-slicing machine. (H. Thomas.) 24th June, 1909.

Applications for Letters Patent abandoned.

LIST of applications, with which provisional specifications only have been filed, abandoned (i.e., complete specifications not lodged) from the 15th to the 26th June, 1909, inclusive:—

- No. 24803.—E. J. Butterworth, instrument for ascertaining distances.
 No. 24804.—J. L. Vipond and R. Williams, shirt-collar.
 No. 24806.—G. Lamb, door-holder.
 No. 24809.—F. H. Andrews, seaming-machine.
 No. 24810.—G. Craw, flax-dressing process.
 No. 24811.—F. Armstrong, metallic alloy.
 No. 24814.—E. J. and H. V. Gazzard, mortise-machine.
 No. 24815.—W. H. G. Geake, tennis-shirt.
 No. 24817.—G. Cocks, combination tool.
 No. 24822.—A. Lyell, railway-carriage coupling.
 No. 24826.—R. M. Maunder and H. Moffatt, curtain-lifter.
 No. 24827.—J. C. Hobbs, wax and oil extractor.
 No. 24829.—J. Runciman, pivot harrow.
 No. 24830.—W. Scott, folding table.
 No. 24831.—L. Hayes, railway snow-scoop.
 No. 24832.—D. Cochrane, axle-lubricator.
 No. 24833.—W. T. Jenkin, weighing predetermined quantities apparatus.
 No. 24834.—J. Russell and W. W. Jones, revolving sign.
 No. 24837.—C. S. Bayley, trolley-pole controller.
 No. 24840.—P. Ellis, compressor.
 No. 24844.—D. and G. Gilbert, pile-driving apparatus.
 No. 24845.—A. Prior, box-manufacture.
 No. 24852.—A. H. Wright, indicating-apparatus.

Applications for Letters Patent void.

APPLICATIONS for Letters Patent, with which complete specifications have been lodged, void owing to non-acceptance of such complete specifications, from the 15th to the 26th June, 1909, inclusive:—

- No. 24156.—W. F. Offord, truss.
 No. 24182.—R. Avery, extension boot.

Applications for Letters Patent lapsed.

APPLICATIONS for Letters Patent lapsed, owing to Letters Patent not being sealed, from the 15th to the 26th June, 1909, inclusive:—

- No. 23832.—T. J. Cahill, brake-gear.
 No. 23850.—R. M. Smith, temperature-detector.
 No. 23863.—G. McNab, cask-tilter.

Letters Patent void.

LIST of Letters Patent void through non-payment of renewal fees, and through expiry of term of fourteen years, from the 15th to the 26th June, 1909, inclusive:—

THROUGH NON-PAYMENT OF SECOND-TERM FEES.

- No. 19211.—J. Anderson, guide for renewable valve.
 No. 19213.—F. H. Brenton and J. Struthers, cribbing.
 No. 19214.—W. E. Hughes, printing-surfaces. (W. J. Yeoll.)
 No. 19215.—W. Taylor, operating railway-points.
 No. 19216.—W. Taylor, operating railway-points.
 No. 19217.—Cyanide Vacuum Filter Company, Limited, separation of liquids from solids. (P. J. Ogle and R. K. Evans.)
 No. 19218.—H. Irwin, alarm.
 No. 19219.—H. E. Ross, hull of ship.
 No. 19229.—Andrews and Beavan, Limited, seed and grain cleaner. (W. Andrews and A. W. Beavan.)
 No. 19238.—W. H. Wingfield and J. Balding, holding and disintegrating tobacco.
 No. 19239.—P. Le Sueur, vehicle-axle lubricator.
 No. 19242.—H. Garner, vehicle-wheel tire.
 No. 19253.—J. H. Jackson, jun., boots.

THROUGH NON-PAYMENT OF THIRD-TERM FEES.

- No. 14644.—The British Westinghouse Electric and Manufacturing Company, Limited, dynamo electric generator. (J. P. Campbell—B. G. Lamme.)
 No. 14649.—The British Westinghouse Electric and Manufacturing Company, Limited, electrical distribution. (W. E. Hughes—B. G. Lamme.)
 No. 14654.—J. H. Vautier, gas. (H. W. G. Henderson.)
 No. 14670.—Babcock and Wilcox, oil-separator. (J. Chambers and Son, Limited—A. Arndt.)
 No. 14677.—F. Cooper, cultivator.

THROUGH EXPIRY OF TERM.

- No. 7696.—The Diamond Match Company, wax-match machine. (E. B. Beecher and J. P. Wright.)

Design registered.

A DESIGN has been registered in the following name on the date mentioned:—

- No. 485.—S. Trethewey, of Ruapuna, New Zealand, Farmer. Class 1. 11th January, 1909.

Designs expired.

THE copyright in the following designs has expired:—

- No. 210.—P. Byrne, of Christchurch, New Zealand, Physical-culture and Fencing Instructor. (Dumb-bell.)
 No. 211.—Harding and Billing, of Auckland, New Zealand, and Sydney, New South Wales. (Letter-card.)

Applications for Trade Marks filed.

LIST of applications for registration of Trade Marks filed from the 12th to the 25th June, 1909, inclusive:—

- No. 8041.—15th June.—C. L. Thomas, Napier, N.Z. Class 3.
 No. 8042 and 8043.—16th June.—G. W. Bennett, Christchurch, N.Z. Classes 2 and 39.
 No. 8044.—16th June.—Humphrey Taylor and Co., Limited, London, Eng. Class 43.
 No. 8045.—17th June.—D. H. Bourke, Hamilton, and I. Nicholson, Auckland, N.Z. Class 39.
 No. 8046.—17th June.—J. K. Cameron, Hawera, N.Z. Class 43.
 No. 8047.—17th June.—T. Bear and Sons, Limited, London, Eng. Class 45.
 No. 8048.—17th June.—G. Lewis, Napier, N.Z. Class 17.
 No. 8049.—18th June.—A. Wheatley, Hawera, N.Z. Class 50.
 No. 8050.—18th June.—Ellis and Manton, Wellington, N.Z. Class 42.
 No. 8051.—18th June.—G. H. Dodds, Dunedin, N.Z. Class 34.
 No. 8052.—18th June.—G. H. Dodds, Dunedin, N.Z. Class 38.
 No. 8053.—19th June.—A. Waller and Co., Auckland, N.Z. Class 3.
 No. 8054.—21st June.—Warnock Bros., Auckland, N.Z. Class 47.
 No. 8055.—21st June.—Hawke's Bay Meat Curing Company, Limited, Hastings, N.Z. Class 42.
 No. 8056.—23rd June.—Bryant and May, Limited, London, Eng. Class 47.
 No. 8057.—23rd June.—Greene Tweed and Co., New York, U.S.A. Class 50.
 No. 8058.—23rd June.—H. Disston and Sons, Incorporated. Class 12.
 No. 8059 to 8069.—23rd June.—A. Cowan and Sons, Limited, Edinburgh, Scot.; Melbourne, Vic.; and elsewhere. Class 39.
 No. 8070.—24th June.—W. Hensleigh, Oamaru, N.Z. Class 48.
 No. 8071.—24th June.—T. West and Co., Dunedin, N.Z. Class 44.
 No. 8072.—24th June.—M. F. Lyons, Melbourne, Vic. Class 43.
 No. 8073.—24th June.—A. L. Ross and Co., Christchurch, N.Z. Class 50.
 No. 8074.—24th June.—Northampton Boot Factory, Auckland, N.Z. Class 38.
 No. 8075.—24th June.—British Anti-fouling Composition and Paint Company, Limited, London, Eng. Class 1.

B

Applications for Registration of Trade Marks.

Patent Office,
 Wellington, 30th June, 1909.

APPLICATIONS for registration of the following Trade Marks have been received. Notice of opposition to the registration of any of these applications may be lodged at this office within two months of the date of this Gazette. Such notice must be in duplicate, and accompanied by a fee of £1.

No. of application: 7958.
 Date: 21st April, 1909.

TRADE MARK.

The word

“BIORAMA.”

NAME.

WILLIAM BOOTH, an Officer in the Salvation Army, an institution with territorial headquarters for Australia at 69 Bourke Street, Melbourne, in the State of Victoria, Commonwealth of Australia, Manufacturer.

No. of class: 39.

Description of goods: Films and pictures for use in connection with cinematograph and similar machines.

No. of application: 7969.
 Date: 29th April, 1909.

TRADE MARK.

The word

“OXVIS.”

NAME.

T. H. GARLAND AND SON, of Auckland, in the Dominion of New Zealand, Manufacturers.

No. of class: 42.

Description of goods: Extract of beef and gelatine tablets.

No. of application: 7972.
 Date: 6th May, 1909.

TRADE MARK.



The essential particulars of this trade mark are the device showing four stars enclosing the words "Southern Cross," and the words "Southern Cross"; and any right to the exclusive use of any added matter is disclaimed.

NAME.

THE SOUTHERN CROSS GALVANISED IRON MANUFACTURING COMPANY, LIMITED, Wellesley Street West, Auckland, in the Dominion of New Zealand (per S. Parker, Managing Director).

No. of class: 13.

Description of goods: Tubs, buckets, basins, cans, slop-pails, coal-hods, ash-pans, coal-vases, cash-boxes, deed-boxes, bonnet-boxes, trunks, tanks, cisterns, baths, boiler-fillers, sanitary pans and lids, refuse-pans, all being goods of metal; and tin goods included in this class made of sheet iron or other metal, galvanised goods included in this class made out of sheet iron or other metal, and japanned goods included in this class made out of sheet iron or other metal.

No. of application: 7987.

Date: 19th May, 1909.

TRADE MARK.



NAME.

GEORGE HENRY BOYD and JOHN MARSHALL BRENNAN, both of 13 Nixon Place, Wanganui, in the Dominion of New Zealand, Coachbuilders.

No. of class: 22.

Description of goods: Gigs.

No. of application: 8006.

Date: 25th May, 1909.

TRADE MARK.

The word

“AMBROSA.”

NAME.

ELLIS AND MANTON, of Stout Street, Wellington, in the Dominion of New Zealand, Merchants.

No. of class: 42.

Description of goods: Tea.

No. of application: 8010.

Date: 26th May, 1909.

TRADE MARK.

The words

“RENZIE'S PEPSO.”

NAME.

ANDREW DUNBAR SLOANE, of 66 Lambton Quay, Wellington, in the Dominion of New Zealand.

No. of class: 3.

Description of goods: Medicine for indigestion.

No. of application: 8028.

Date: 4th June, 1909.

TRADE MARK.



The essential particulars of this trade mark are the device with a representation of a nikau palm and the word “Nikau”; and any right to the exclusive use of the added matter is disclaimed.

NAME.

JOHN PETER HOOTON, of Auckland, in the Dominion of New Zealand, Warehouseman and Silk Importer.

No. of class: 38.

Description of goods: Riveted clothing.

No. of application: 8035.

Date: 9th June, 1909.

TRADE MARK.

The word

“CONDIMENTORS.”

NAME.

WHITCOMB, STEVENSON, AND Co., LIMITED, of Auckland, in the Dominion of New Zealand, Manufacturers.

No. of class: 42.

Description of goods: Substances used as food or as ingredients in food, such as cereals, flour, oatmeal, cornflour, bread, scones, pastry, cakes, biscuits, malt, pulses, hops, yeast, baking-powder, custard-powder, powdered gelatine, egg-powder, lard, butter, cream tartar, tartaric acid, citric acid, dripping, honey, condensed milk, tea, coffee, cocoa,

chocolate, confectionery, fresh fruit, preserved fruit, canned fruit, dried fruit, preserved pine-apples, cocoanut, milk, cream, sugar, jam, marmalade, bonbons, olive-oil, salad-oil, oil cakes, sago, essences, jellies, cheese, pepper, mustard, anchovies, vinegar, cayenne pepper, chutney, curry-powder, ketchup, pickles, sauces, condiments, bitters, chemical food, salt, egg-preservative, eggo, canned vegetables, preserved vegetables, garden-produce, beer-clarifier, lime-juice, cordials, non-aerated beverages, non-alcoholic beverages, salmon, fish, preserved fish, salted fish, canned fish, dead rabbits, dead hares, dead game, dead poultry, bacon, ham, preserved meat, extract of meat, canned meat, spiced meat, ragged meat, salted meat, and frozen meat.

No. of application : 8037.
Date : 9th June, 1909.

TRADE MARK.



NAME.

COMMONWEALTH OIL CORPORATION, LIMITED, of Equitable Building, George Street, Sydney, in the State of New South Wales, Commonwealth of Australia.

No. of class : 47.

Description of goods : Heating-oils, illuminating-oils, lubricating-oils, power oils, petroleum spirits, paraffine wax, candles, and greases.

No. of application : 8036.
Date : 9th June, 1909.

TRADE MARK.



NAME.

COMMONWEALTH OIL CORPORATION, LIMITED, of Equitable Building, George Street, Sydney, in the State of New South Wales, Commonwealth of Australia.

No. of class : 47.

Description of goods : Heating-oils, illuminating-oils, lubricating-oils, power oils, petroleum spirits, paraffine wax, candles, and greases.

No. of application : 8038.
Date : 10th June, 1909.

TRADE MARK.

KANDYAN

NAME.

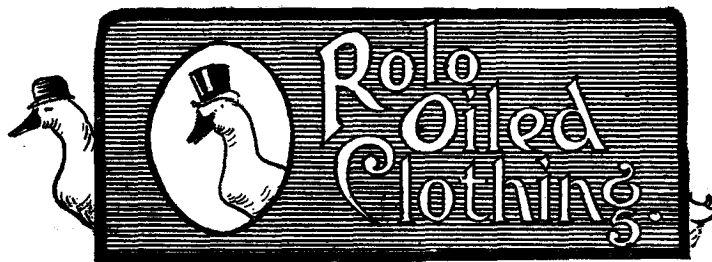
J. RATTRAY AND SON, LIMITED, of Dunedin, in the Dominion of New Zealand, Merchants.

No. of class : 42.

Description of goods : Tea.

No. of application : 8040.
Date : 11th June, 1909.

TRADE MARK.



The essential particulars of this trade mark are the device and the word "Rolo"; and any right to the exclusive use of the added matter is disclaimed.

NAME.

HARRY ALEXANDER ROLLINSON, of Napier, in the Dominion of New Zealand, Tailor.

No. of class : 38.

Description of goods : All articles of clothing made of oilskin.

No. of application : 8041.

Date : 15th June, 1909.

TRADE MARK.

The word

“ Z E M O . ”

NAME.

CHARLES LOUIS THOMAS, of Emerson Street, Napier, in the Dominion of New Zealand, Chemist.

No. of class : 3.

Description of goods : Ointments for skin-diseases.

No. of application : 8043.

Date : 16th June, 1909.

TRADE MARK.



DOMINION.

The essential particular of this trade mark is the distinctive device; and any right to the exclusive use of the added matter is disclaimed.

NAME.

GEORGE WILLIAM BENNETT, of 148 Hereford Street, Christchurch, in the Dominion of New Zealand, Manufacturers' Agent.

No. of class : 39.

Description of goods : Photographic sensitised paper.

No. of application : 8044.

Date : 16th June, 1909.

TRADE MARK.

The words

“ STARBOARD LIGHT. ”

NAME.

HUMPHREY TAYLOR AND Co., LIMITED, of 45 New Oxford Street, London, England, Liqueur and Cordial Distillers.

No. of class : 43.

Description of goods : Fermented liquors and spirits.

No. of application : 8045.

Date : 17th June, 1909.

TRADE MARK.

The word

“ FRANKINO. ”

NAME.

DONALD HUGH BOURKE, of Hamilton, in the Dominion of New Zealand, Tailor, and IVY NICHOLSON, Wife of Charles Nicholson, of Grafton Road, Auckland, in the Dominion of New Zealand.

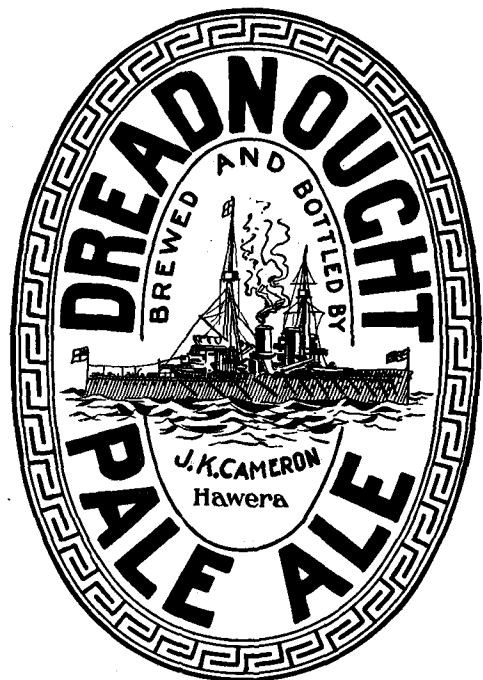
No. of class : 38.

Description of goods : Articles of clothing, such as hats of all kinds, caps and bonnets, hosiery, gloves, boots and shoes, other ready-made clothing, tailor-made clothes, costumes, divided skirts, and underclothing.

No. of application : 8046.

Date : 17th June, 1909.

TRADE MARK.



The essential particulars of this trade mark are the distinctive label and the word “ Dreadnought ”; and applicant disclaims any right to the exclusive use of any added matter except his name and address.

NAME.

J. K. CAMERON, of Hawera, in the Dominion of New Zealand, Brewer.

No. of class : 43.

Description of goods : Pale ale.

No. of application : 8048.

Date : 17th June, 1909.

TRADE MARK.

The word

“ MARBLETTE. ”

NAME.

GEORGE LEWIS, of Napier, in the Dominion of New Zealand, Plasterer.

No. of class : 17.

Description of goods : All goods included in this class.

[NOTE.—Class 17 is for “ Manufactures from mineral and other substances for building or decoration, such as cement, plaster, imitation marble, asphalt.”]

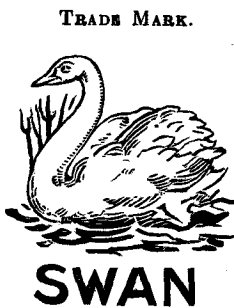
No. of application : 8050.
Date : 18th June, 1909.

TRADE MARK.
The word
"SINHALIND."

NAME.
ELLIS AND MANTON, of Stout Street, Wellington, in the
Dominion of New Zealand.

No. of class : 42.
Description of goods : Tea.

No. of application : 8056.
Date : 23rd June, 1909.



NAME.
BRYANT AND MAY, LIMITED, of Fairfield Works, Bow,
London, England, Match-manufacturers.

No. of class : 47.
Description of goods : Matches, vestas, night-lights, lucifers, tapers, and fusees, included in Class 47.

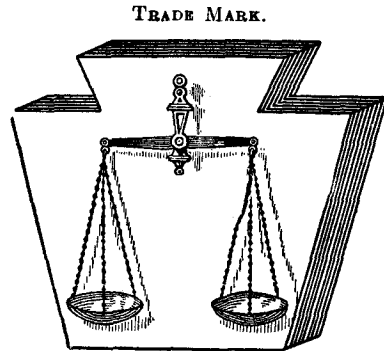
No. of application : 8057.
Date : 23rd June, 1909.

TRADE MARK.
The word
"PALMETTO."

NAME.
GREENE, TWEED, AND Co., of 109 Duane Street, New York,
United States of America, Manufacturers.

No. of class : 50.
Description of goods : Packing.

No. of application : 8058.
Date : 23rd June, 1909.



NAME.
HENRY DISSTON AND SONS, INCORPORATED, a corporation
organized under the laws of the State of Pennsylvania,
United States of America, and doing business at Tacony, in
the City of Philadelphia, County of Philadelphia, in said
State, Manufacturers.

No. of class : 12.
Description of goods : Edge tools.

No. of application : 8059.
Date : 23rd June, 1909.

TRADE MARK.
Cowan
EXTRA STRONG

The applicants claim that the said trade mark has been
used by them and their predecessors in business in respect
of the articles mentioned before the 2nd September, 1889.

NAME.
ALEXANDER COWAN AND SONS, LIMITED, of 38 West Register
Street, Edinburgh, Scotland ; 395 Flinders Lane, Melbourne,
Victoria, Australia ; and elsewhere ; Merchants and Manu-
facturers.

No. of class : 39.
Description of goods : Paper and envelopes.

No. of application : 8060.
Date : 23rd June, 1909.



The applicants claim that the said trade mark has been
used by them and their predecessors in business in respect
of the articles mentioned before the 2nd September, 1889.

NAME.
ALEXANDER COWAN AND SONS, LIMITED, of 38 West Register
Street, Edinburgh, Scotland ; 395 Flinders Lane, Melbourne,
Victoria, Australia ; and elsewhere ; Merchants and Manu-
facturers.

No. of class : 39.
Description of goods : Paper and envelopes.

No. of application: 8061.
Date: 23rd June, 1909.

TRADE MARK.

CRAIGSIDE FINE

The essential particular of this trade mark is the word "Craigside"; and any right to the exclusive use of the added matter is disclaimed.

NAME.

ALEXANDER COWAN AND SONS, LIMITED, of 38 West Register Street, Edinburgh, Scotland; 395 Flinders Lane, Melbourne, Victoria, Australia; and elsewhere; Merchants and Manufacturers.

No. of class: 39.

Description of goods: Paper and envelopes.

No. of application: 8063.
Date: 23rd June, 1909.

TRADE MARK.



KINGSCLERE

The applicants claim that the said trade mark has been used by them and their predecessors in business in respect of the articles mentioned before the 2nd September, 1889.

NAME.

ALEXANDER COWAN AND SONS, LIMITED, of 38 West Register Street, Edinburgh, Scotland; 395 Flinders Lane, Melbourne, Victoria, Australia; and elsewhere; Merchants and Manufacturers.

No. of class: 39.

Description of goods: Paper and envelopes.

No. of application: 8064.
Date: 23rd June, 1909.

TRADE MARK.

A COWAN & SONS LOFT DRIED *Record*

The applicants claim that the said trade mark has been used by them and their predecessors in business in respect of the articles mentioned before the 2nd September, 1889.

NAME.

ALEXANDER COWAN AND SONS, LIMITED, of 38 West Register Street, Edinburgh, Scotland; 395 Flinders Lane, Melbourne, Victoria, Australia; and elsewhere; Merchants and Manufacturers.

No. of class: 39.

Description of goods: Paper and envelopes.

No. of application: 8065.
Date: 23rd June, 1909.

TRADE MARK.

SILVERBURN LINEN

The essential particular of this trade mark is as follows—the word "Silverburn"; and any right to the exclusive use of the added matter is disclaimed.

NAME.

ALEXANDER COWAN AND SONS, LIMITED, of 38 West Register Street, Edinburgh, Scotland; 395 Flinders Lane, Melbourne, Victoria, Australia; and elsewhere; Merchants and Manufacturers.

No. of class: 39.

Description of goods: Paper and envelopes.

No. of application: 8066.
Date: 23rd June, 1909.

TRADE MARK.

WOODSLEE AIR-DRIED

The essential particular of this trade mark is as follows—the word "Woodslee"; and any right to the exclusive use of the added matter is disclaimed.

NAME.

ALEXANDER COWAN AND SONS, LIMITED, of 38 West Register Street, Edinburgh, Scotland; 395 Flinders Lane, Melbourne, Victoria, Australia; and elsewhere; Merchants and Manufacturers.

No. of class: 39.

Description of goods: Paper and envelopes.

No. of application: 8067.
Date: 23rd June, 1909.

TRADE MARK.

STANLEY

The applicants claim that the said trade mark has been used by them and their predecessors in business in respect of the articles mentioned before the 2nd September, 1889.

NAME.

ALEXANDER COWAN AND SONS, LIMITED, of 38 West Register Street, Edinburgh, Scotland; 395 Flinders Lane, Melbourne, Victoria, Australia; and elsewhere; Merchants and Manufacturers.

No. of class: 39.

Description of goods: Paper and envelopes.

No. of application : 8068.
Date : 23rd June, 1909.

TRADE MARK.

ORION
SUPERFINE

The essential particular of this trade mark is the word "Orion"; and any right to the exclusive use of the added matter is disclaimed.

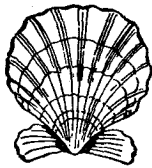
NAME.

ALEXANDER COWAN AND SONS, LIMITED, of 38 West Register Street, Edinburgh, Scotland; 395 Flinders Lane, Melbourne, Victoria, Australia; and elsewhere; Merchants and Manufacturers.

No. of class : 39.
Description of goods : Paper and envelopes.

No. of application : 8069.
Date : 23rd June, 1909.

TRADE MARK



NAME.

ALEXANDER COWAN AND SONS, LIMITED, of 38 West Register Street, Edinburgh, Scotland; 395 Flinders Lane, Melbourne, Victoria, Australia; and elsewhere; Merchants and Manufacturers.

No. of class : 39.
Description of goods : Paper and stationery.

No. of application : 8070.
Date : 24th June, 1909.

TRADE MARK.

The word
"KOLENE."

NAME.

WALTER HENSLEIGH, of Oamaru, in the Dominion of New Zealand, Hair Specialist.

No. of class : 48.
Description of goods : Hair preparations, scents, brilliantine, oils, &c.

No. of application : 8072.
Date : 24th June, 1909.

TRADE MARK.

The word
"BEVARA."

NAME.

MARCUS FRANK LYONS, of 271-273 Flinders Lane, Melbourne, in the State of Victoria, Commonwealth of Australia, Indent Agent.

No. of class : 42.

Description of goods : A tinned preparation of hops (non-intoxicant) for the making of ginger-beer, hop-beer, and the like.

No. of application : 8076.
Date : 26th June, 1909.

TRADE MARK.

The word
"IMPERIAL."

NAME.

S. KIRKPATRICK AND Co., LIMITED, of Nelson, in the Dominion of New Zealand, Manufacturers.

No. of class : 42.

Description of goods : Jams, jellies, canned and preserved vegetables, marmalade, sauces, vinegar, spices, chutney, curry-powder, custard-powder.

No. of application : 8077.
Date : 26th June, 1909.

TRADE MARK.

The word
"MONARCH."

NAME.

S. KIRKPATRICK AND Co., LIMITED, of Nelson, in the Dominion of New Zealand, Manufacturers.

No. of class : 42.

Description of goods : Jams, jellies, canned and preserved fruits and vegetables, marmalade, sauces, baking-powder, chutney, curry-powder, custard-powder.

J. C. LEWIS,
Registrar.

Trade Marks registered.

LIST of Trade Marks registered from the 15th to the 25th June, 1909, inclusive :—
Nil.

Subsequent Proprietors of Trade Marks registered.

[NOTE.—The name of the former proprietor is given in brackets; the date is that of registration.]

NO. 2706/2162.—Swiss Silk Bolting Cloth Manufacturing Company, Limited (Schweiz. Seidengazefabrik A. G.) (Societe Suisse de Tissage de Soies à bluter), of Mythenstrasse No. 24, Zurich II, Switzerland, and of Thal, Kanton Street, Gallen, Switzerland, Manufacturer of Silk Bolting Cloth and Silk Gauze. [Dufour and Co.] 24th June, 1909.

Application for Restoration of Trade Mark to the Register.

APPPLICATION has been made for the restoration to the Register of the following Trade Mark, the entry of which has been cancelled owing to the non-payment of the renewal fee, payment of which, it is stated, was inadvertently overlooked by the proprietor.

No. 1403/1220.—W. Wright, trading as "W. Wright and Co."

Trade Mark Renewal Fees paid.

FEES paid for the renewal of the undermentioned Trade Marks for fourteen years from the date first mentioned :—

No. 1445/1221.—14th June, 1909.—W. Wright, Dunedin, N.Z. Class 42. 14th June, 1909.

No. 1446/1206.—14th June, 1909.—Wright, Stephenson, and Co., Dunedin, N.Z. Class 2. 14th June, 1909.

No. 1457/1337.—23th June, 1909.—Brinsley and Co., Limited, Dunedin, N.Z. (R. Brinsley and P. S. Bett—Brinsley and Co.) Class 18. 25th June, 1909.

No. 1503/1204.—31st August, 1909.—W. Edge and Sons, Limited, Bolton, Eng. Class 1. 23rd June, 1909.

Alteration of Address of Proprietor of Trade Mark on Register.

NOS. 82/823 (six marks), 6650/5632, 6651/5633, 6652/5634, 6653/5470, 6654/5471, 6655/5472, 6656/5473.—Baldwin's Limited. Address altered from "Wilden, near Stourport, in the County of Worcester, England," to "Salisbury House, 45 Wind Street, Swansea, Wales."

Applications for Trade Marks opposed.

NOTICE of opposition has been filed in the following cases :—

Nos. 7791, 7792, and 7793.—Kempthorne, Prosser, and Co.'s New Zealand Drug Company, Limited. (Opposed by War-nock Bros.)

No. 8007.—Ellis and Manton. (Opposed by Nelson, Moate, and Co., Limited.)

Application for Trade Mark withdrawn.

THE following application for Trade Mark has been withdrawn :—

No. 8003.—Ellis and Manton. (Advertised in Supplement to *New Zealand Gazette*, No. 45, of the 4th June, 1909.)

Trade Marks removed from the Register.

TRADe Marks removed from the Register owing to the non-payment of the renewal fee, from the 15th to the 26th June, 1909, inclusive :—

No. 1414/1110.—19th March, 1895.—W. C. Sharland, of Auckland, New Zealand. Class 42.

No. 1403/1220.—2nd March, 1895.—W. Wright, of Dunedin, New Zealand. Class 42.

By Authority: JOHN MACKAY, Government Printer, Wellington.

ILLUSTRATIONS OF INVENTIONS.

[These illustrations refer to the complete specifications accepted, and advertised in this *Gazette*.]

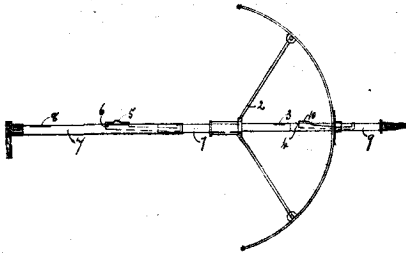


FIG 2



FIG 3

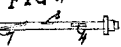
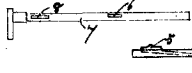
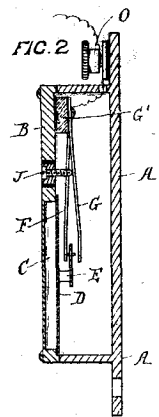
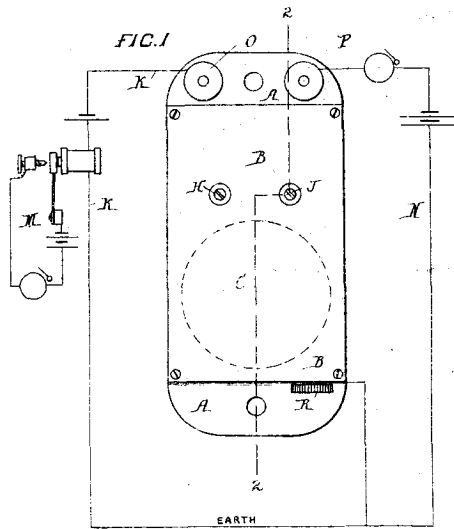
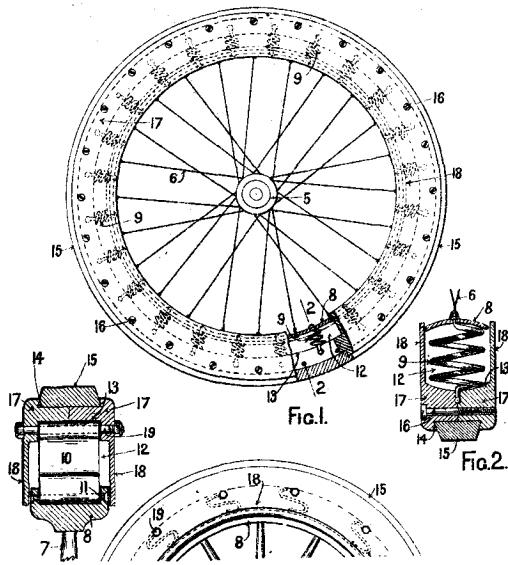


FIG 5

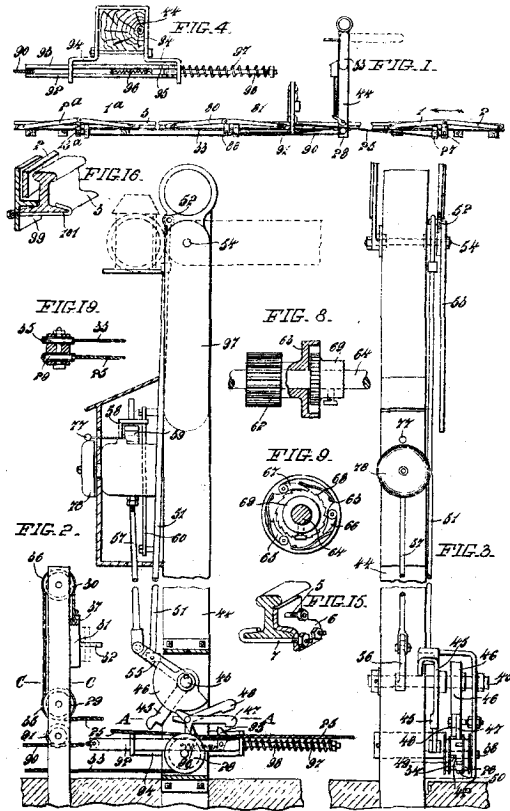
24058 Quartier. Umbrella.



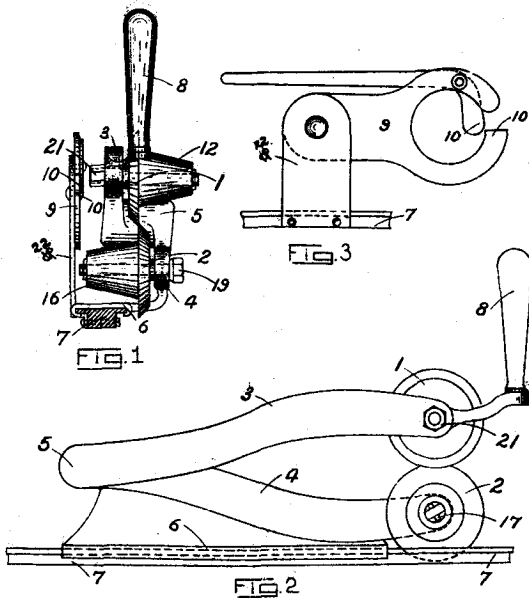
24676 Moss. Fire-alarm.



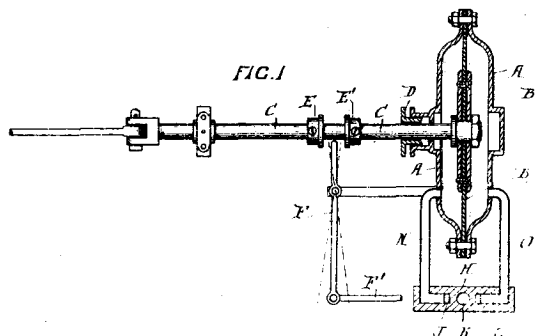
24179 Hardaker. Vehicle-wheel.



24686 Hudson and Mardon. Railway-signal.



24642 Tomkies. Metal-shears.



24780 Robinson. Vacuum-power Device.

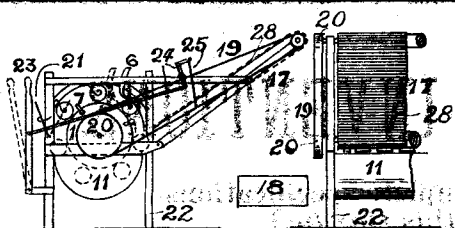


FIG. 1.

FIG. 6.

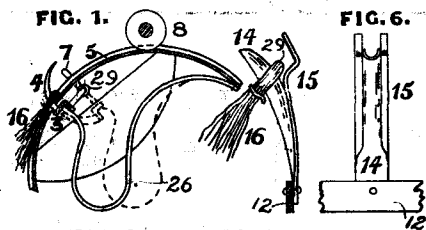


FIG. 2.

FIG. 3.

FIG. 5.

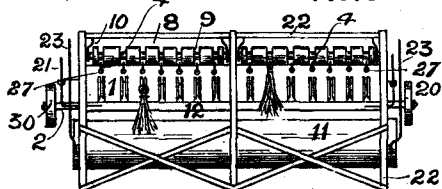
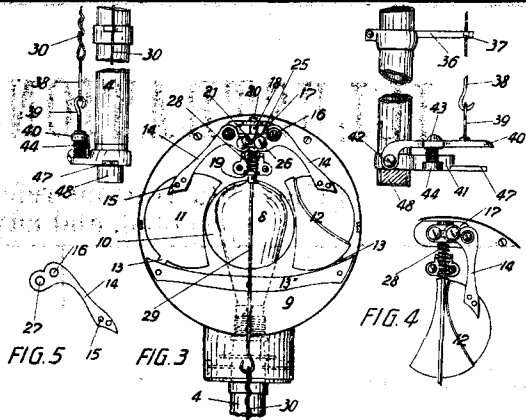
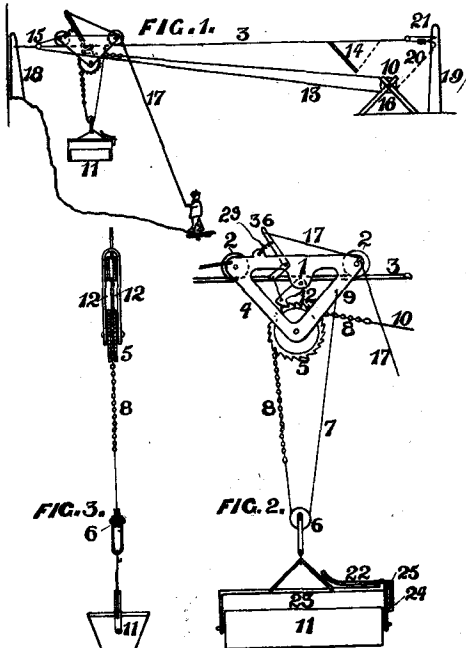


FIG. 4.

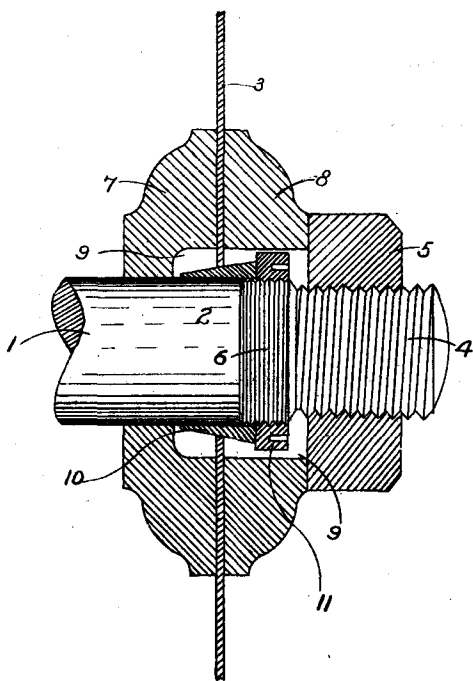
24691 Graham. Fibre-manufacture.



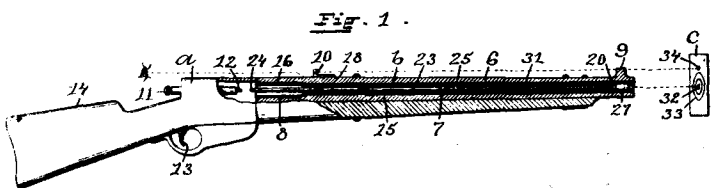
24787 Sundercombe. Signal.



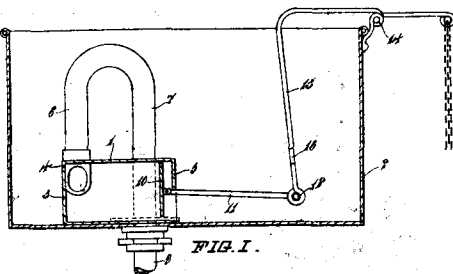
24719 Arthur. Elevator and Conveyor.



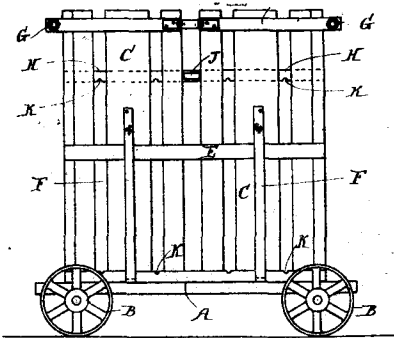
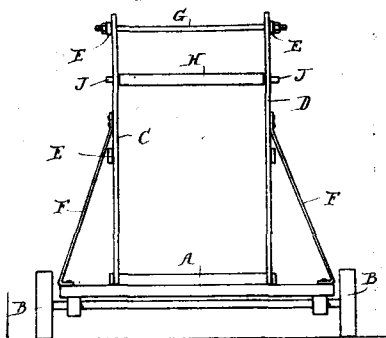
24747 Uddstrom. Circular-saw Mounting.



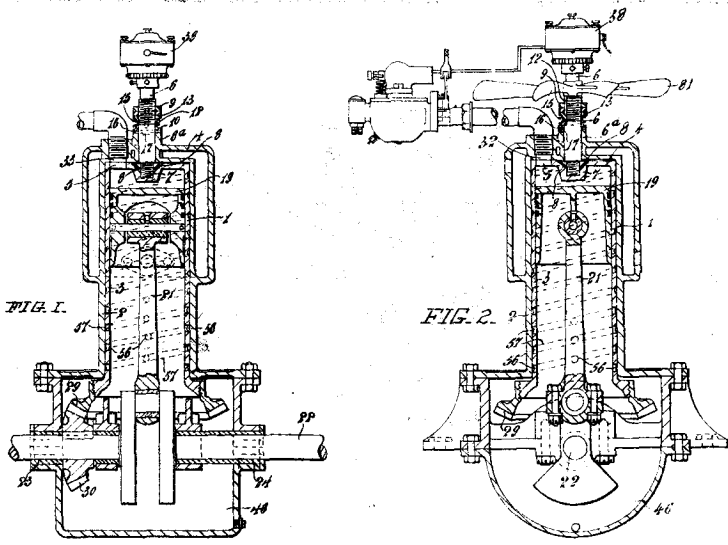
25942 Clark. Fire-arm Attachment.



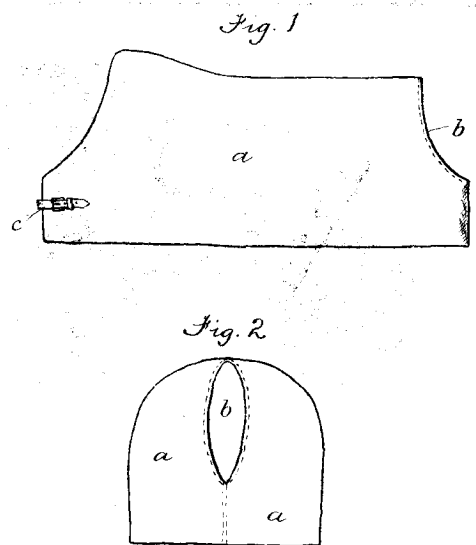
24727 Taylor and Oakley. Flushing-cistern. (Wright.)



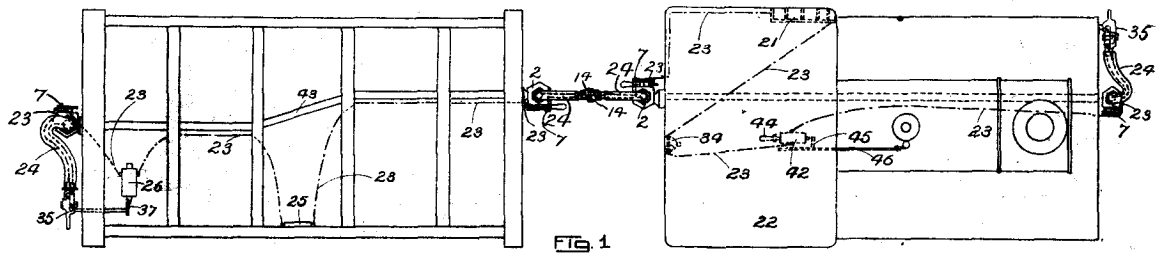
25712 Dalziel. Hay-press.



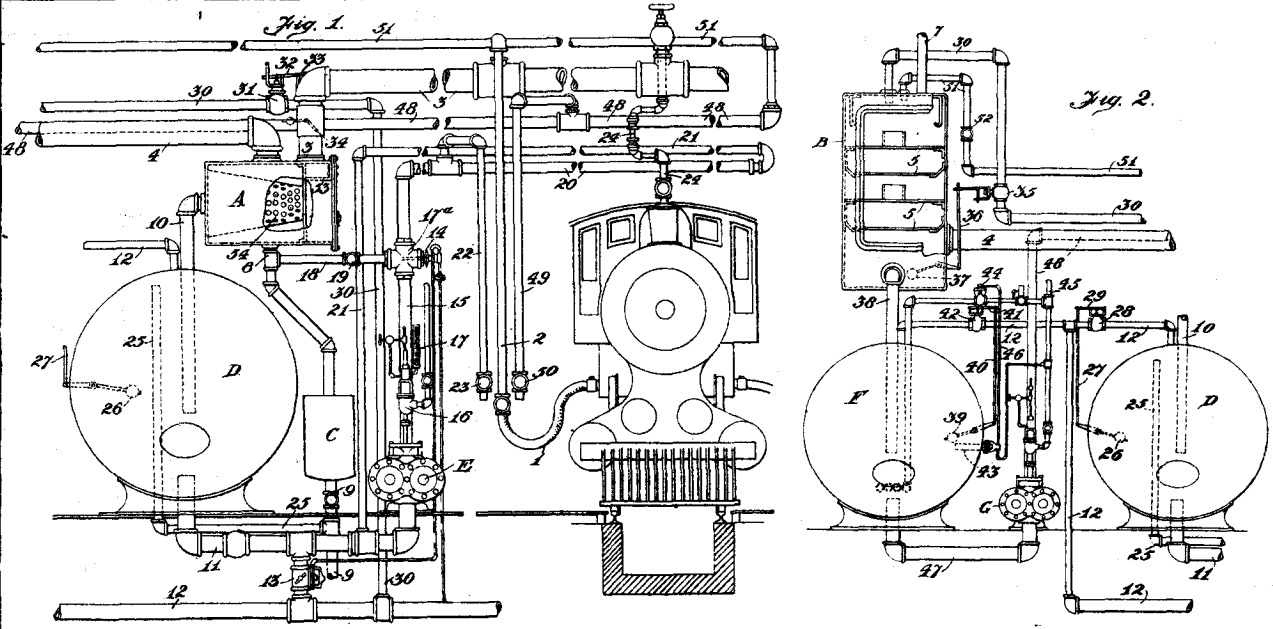
25215 Trengrove. Internal-combustion Engine.



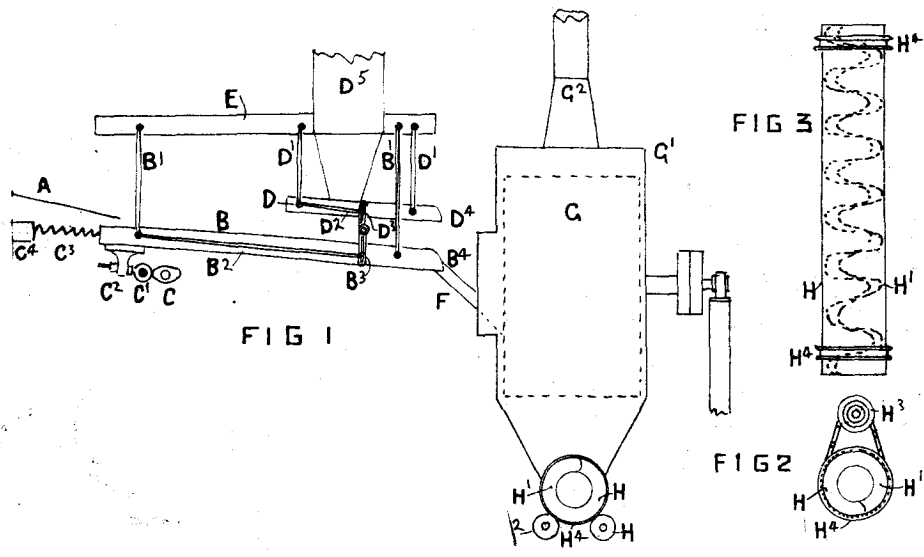
25966 Reid. Cow-cover.



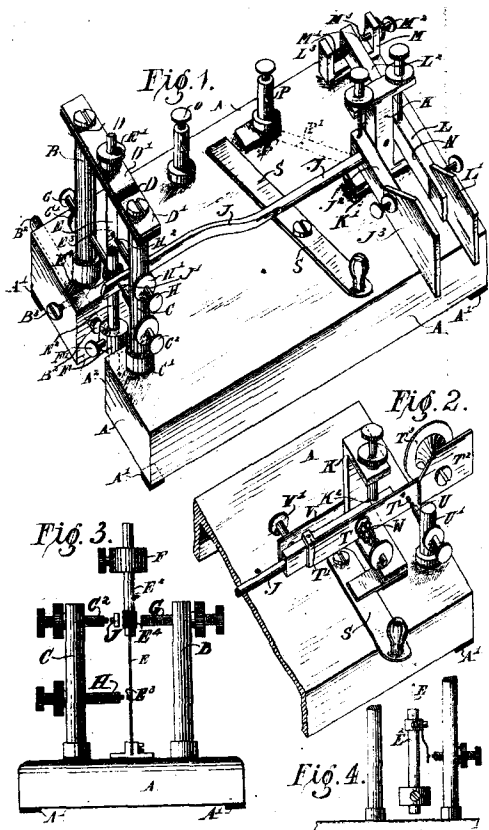
24753 Christie and Henderson. Air-brake System.



25526 White. Locomotive-boiler-filler.



25926 Love and Skelsey. Cement-machine.



25876 MacDonald. Telegraphic Transmitter.

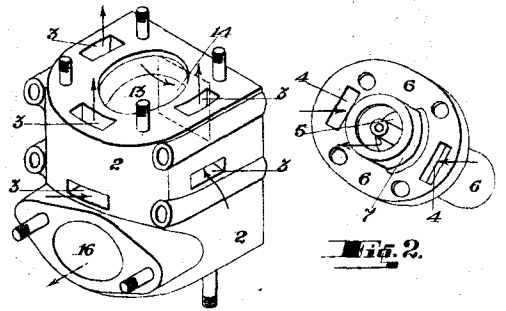


Fig. 1.

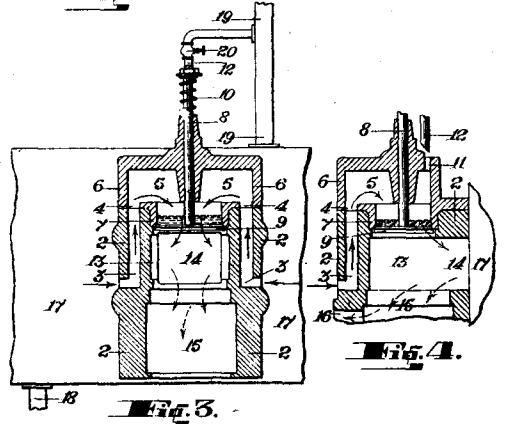
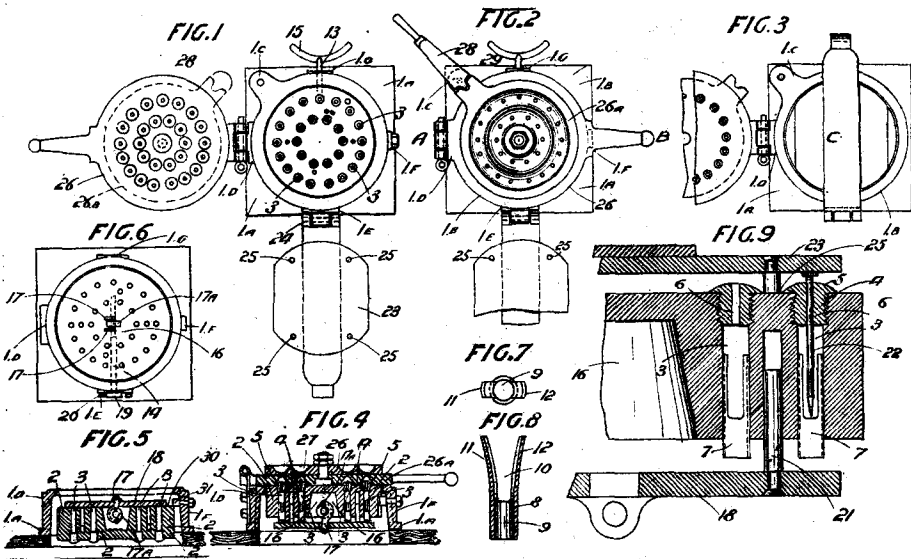
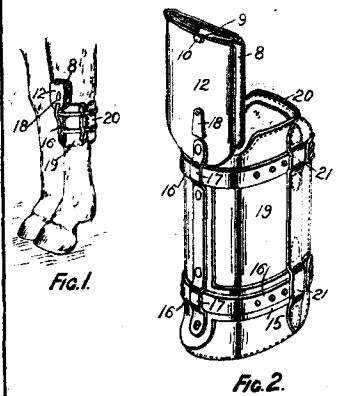


Fig. 3.

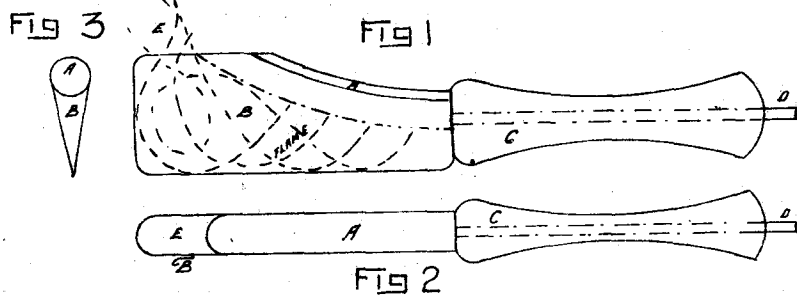
25979 H. and C. E. Merrett. Internal-combustion Engine.



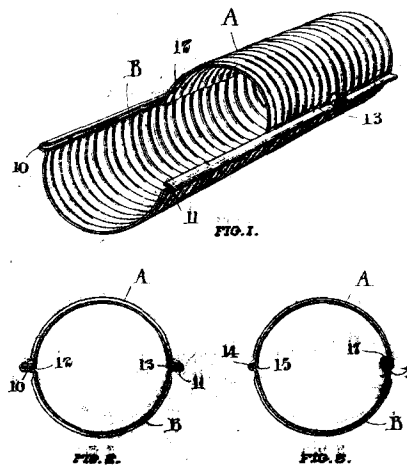
25969 Collins. Casting Nail-heads.



25941 Douglas and Geddes. Knee-shield.



25452 G. T. and H. H. Stewart. Searing and Docking Knife.



25765 Pedlar. Pipe-sections.